

SRP-275III

3 inch Impact Dot POS Printer



Retail



Restaurants & Bars

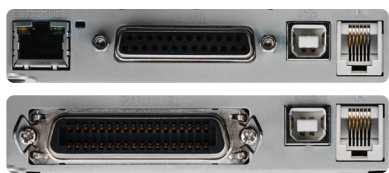
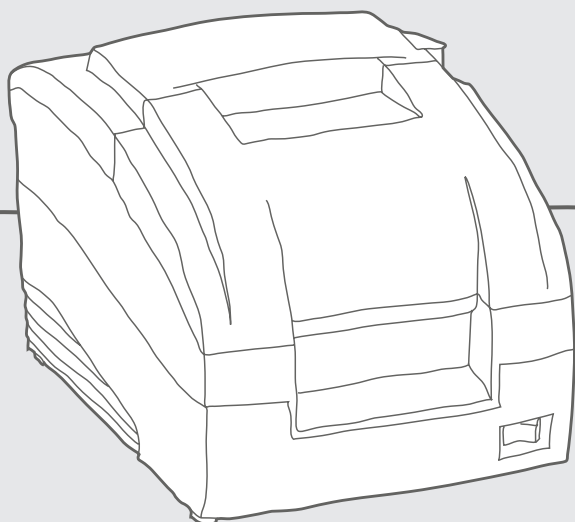


Ticketing



Banking

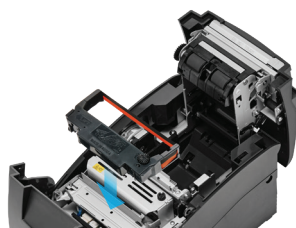
Simply Drop-in



Built-In Interface

- USB V2.0 FS + Serial + Ethernet*
- USB V2.0 FS + Parallel
- USB V2.0 FS + Serial
- * DHCP enabled

2-color



Powerful Printing Performance

- Fast printing speed up to 5.1 lps (at 40 columns) 8.5% faster than competitive models
- High reliability mechanism (18 million lines)
- Two-color printing, quality printing of fonts, graphics



User-Friendly Design

- Anti-jam technology
- Internal kitchen buzzer & built - in SMPS
- Simply drop-in paper loading
- Stand-alone and wall-mount options



SRP-275III

3 inch Impact Dot POS Printer

Specifications

Print Characteristics

Print Method

9 Pin
Serial Dot Matrix

Print Speed

Up to 5.1 lps (at 40 columns)

Print Resolution

80 dpi (Horizontal)
144 dpi (Vertical)

Print Width

Up to 63.5 mm

Sensor

Paper End, Paper Near End, Wall Mounting Paper
Near End, Rear Cover Open, Black Mark

Media Characteristics

Media Type

Receipt

Media Width

76.5 mm

Media Roll Diameter

Up to 83 mm

Media Thickness

0.06 ~ 0.085 mm

Supply Method

Easy Paper Loading

Physical Characteristics

Dimensions (W x D x H)

160 x 239 x 157 mm
(6.29 x 9.40 x 6.18 inch)

Weight

A: 2.4 kg (5.29 lbs.)
C: 2.5 kg (5.51 lbs.)

Electrical

EnergyStar Certified,
External Power Supply Housed Internally
(Adaptor 24V/2.5A), 50/60Hz

Drawer Port

2 ports (via y-type adaptor)

Performance Characteristics

NV Image Memory

256 Kbytes (mono)

Receive Buffer

64 Kbytes

User Define Buffer

64 Kbytes

Interface

- ① USB V2.0 FS + Serial + Ethernet*
 - ② USB V2.0 FS + Parallel
 - ③ USB V2.0 FS + Serial
- * DHCP enabled

Environment Characteristics

Temperature

Operating: 0 ~ 40°C (32 ~ 104°F)
Storage: -20 ~ 60°C (-4 ~ 140°F)

Humidity

Operating: 10 ~ 80% RH
Storage: 10 ~ 90% RH

Reliability

Thermal Print Head (TPH)

300 Million Dots/Wire

Auto Cutter

1.5 Million Cuts

Software

Emulation

BXL / POS

Driver / Utility

Windows Driver, OPOS / JPOS Driver,
Linux / Mac CUPS Driver,
Virtual COM USB / Ethernet Driver,
Utility Program

SDK / Plugin

Android / iOS / Windows SDK, Linux SDK,
Chrome SDK

Application

mPrint Server (Windows, iOS)

MDM

BIXOLON Profile Manager
- XPM™, XCM™ (Windows, Android)

Fonts / Graphics / Symbologies

Character Size

Font A: 9 x 9 Font B: 7 x 9 KOR: 17 x 9 CHN: 16 x 16

Characters Per Line

Font A: 35 Font B: 40 KOR: 20 CHN: 22

Character Sets

Alphanumeric: 95
Extended Graphics: 128 x 27 page
International: 48

Graphics

Supporting user-defined fonts, graphics,
formats, and logos

Accessories

Optional

Wall Mount, Splash Proof Cover,
Ribbon Cartridge, B-Melodist, External Buzzer,
USB A-B Cable 1.8m

