

Back to Basics

HIT is not a flashy design that catches customers' attention in a flash. However, with it every day, you can understand why it's so thoughtful to you rather than glamorous.

All-in-One Touch POS

HIT



White & Black
Bezel type only

Key Features

HIT support Intel® processor and Microsoft® Windows 10, HIT can adopt various options.



· Light, slim design



· Easy disassembly for A/S process



· Easy USB connection



· Second Monitor (9.7", optional)
· Full HD(1920x1080) Monitor(TV) connection support.

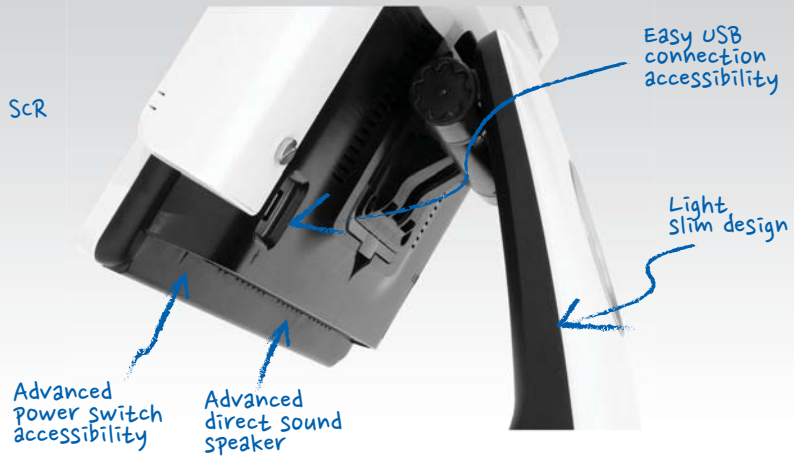


· HIT is applied of HANASIS' state-of-the-art skills.



HIT POS pursue user's utility even HANASIS preserve NIZON & HW-POS's certified skills.
 First of all, User can feel supreme handle-grip texture by curved and elliptical design while user use their POS.
 Rear case hair line texture make HIT more sophisticated as well as function stainless virtue.
 Besides, HIT's toolless-structure is upgraded, storage device's accessibility is advanced by changing it's position onto rear case.

HANASIS' sole
Toolless-structure
patent

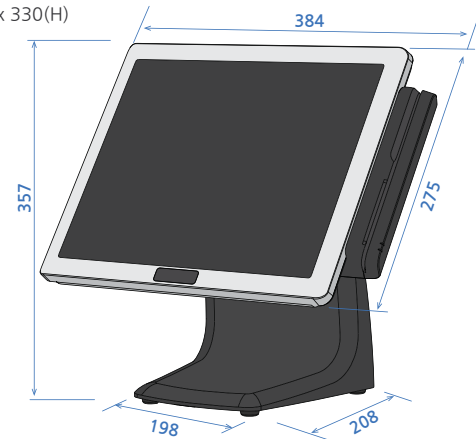


Specifications

Processor(CPU) & Chipset	Intel® Celeron® J1800 Dual Core (2.41 GHz 1M Cache) Intel® Celeron® J1900 Quad Core (2.0 GHz 2M Cache) System on chip (SoC)
Memory	4GB DDR3L SoDIMM (Up to 8GB)
Storage	2.5", SATA-III SSD 128GB†
Display	15", 1024 X 768, 24Bit Luminance : 300 cd/m ² , Backlight : LED
VGA / DVI	-
HDMI	1 EA (Intel® HD Graphics)
LAN	1 EA (RealTek Gigabit LAN)
Serial(RS-232C)	5 EA (DSUB-9p x 2EA / RJ-45 x 3EA)
USB	4 EA (I/O) (USB3.0 & 2.0), 2 EA (Rear) (USB2.0)
Audio	1 EA (Line-Out)
Speaker	1 EA (1W)
Cooler & FAN	Fanless
Power Adaptor	60[W], Input AC 100~240V/50~60HZ, DC 12V/5A
Dimension(mm)	384(W) x 357(H) x 208(D) (With Stand, With SCR)
Weight	4.9 kg
OS Supported	Microsoft® POSReady7 / Windows 10 IoT Linux / Android

Dimension

- ▶ Product : 384(W) x 357(H) x 208(D)
- ▶ Packing : 500(L) x 480(W) x 330(H)



Optional

OS	Microsoft® POSReady7 / Windows 10 IoT
Storage	2.5", SATA-III HDD 500GB†
Wall Mount	Fixed Type , Swivel Type (75x75 VESA)
Dual Display	9.7", TFT-LCD, 1024x768, LED panel (Touch)
Customer Display	VFD type, 20 Characters X 2 Lines, Serial(RS-232C)
WiFi	802.11n, 150Mbps † (External USB Module)
Secure Card Reader	EMV1, EMV2, MSR ISO Track2
Case Color	White & Black

AUTHORIZED DEALER

HANASIS recommend Microsoft® Windows 10. Windows 10

HANASIS Co., Ltd.

17, Saneop-ro 155beon-gil, Gwonseon-gu, Suwon-Si, Gyeonggi-do,
16648, South KOREA

Tel. +82 70 4732 5264
 Fax. +82 31 297 4381
 eMail. gsales@hanasis.com

<http://www.hanasis.com>