

MH-5752

› 7" Integrated Handy POS with Intel® Atom™ x5-Z8550 Quad Core™ CPU

NEW



Features



- Stylish ID and compact design
- High performance and low power consumption
- Intel® Atom™ x5-Z8550 Quad Core™
- High capacity (7400mAh) battery and removable design
- 7" 800 x 1280 IPS LED panel with anti-fingerprint P-Cap touch
- OCA Bonding of touch+panel for sunlight readability
- Windows 10 IoT Enterprise LTSC 2019 (64 bits)
- Supports multi-function applications (optional)
- NFC, 2D barcode scanner, MSR_Smart card reader
- WLAN, BT, 4G, 8M camera (rear)

Tablet Specifications



CPU Support	Intel® Atom™ x5-Z8550 Quad Core™ 1.44GHz up to 2.4GHz
Display	7" IPS display with 800 x 1280 resolution
Brightness	400 cd/m ² (typical)
Touch	Multi-touch projected capacitive Anti-fingerprint OCA Bonding of touch + panel for sunlight readability
O.S. Support	Windows 10 IoT Enterprise LTSC 2019 (64 bits) / Windows 10 IoT Enterprise LTSC 2016 OS (64 bits)
Memory	2GB / 4GB LPDDR3
Flash	32GB / 64GB eMMC
Speaker	1 x 1W speaker
Power Requirement	DC 5V
G-Sensor	Yes
Battery Capacity	3.7V, 7400mAh replaceable battery
Battery Operation	Up to 8 hours (refer to JEITA battery run time measurement)
WWAN	Supports 4G for data transmission (optional)
WLAN	Wi-Fi 802.11 b/g/n, Bluetooth® 4.0
Barcode Scanner	1D/2D barcode scanner (optional)
Camera	Rear camera 8M pixels (optional)
NFC	NXP NPC300 (optional)
MSR_Smart Card Reader	Meets ISO 7816 & EMV Level 1 & 2 certification (optional)
Dimensions (W x H x D)	120.6 x 192.6 x (21 - 25.3) mm
Weight	499 g (Pad only)
Drop Test	Up to 120 cm onto concrete
Certifications	CE / FCC (IEC62368 certified)

Tablet I/O Ports

SD	Micro SD up to 128GB
SIM	4G SIM card
USB	USB Type C for charging and data transmission
Cradle Connectors	POGO pin for charging

*All information contained in this document is subject to change without prior notice. Please log on www.protech.com.tw to acquire latest information.

Environment

Operation Temp.	0°C~40°C (32°F~104°F) 0°C~35°C (32°F~95°F) when charging
Storage Temp.	-20°C~60°C (-4°F~140°F)
Humidity	Operation humidity 10%~90%; Storage humidity 10%~95%

Charging Stand Specifications

Cradle Connector	POGO pins (1 x 10 pins)
DC In Jack	DC 12V IN (pin's $\phi=2.5$ mm)
AC Power Adapter	12V/2A/24W AC power adapter
Weight	310 g
Dimensions (W x H x D)	120 x 69 x 65 mm

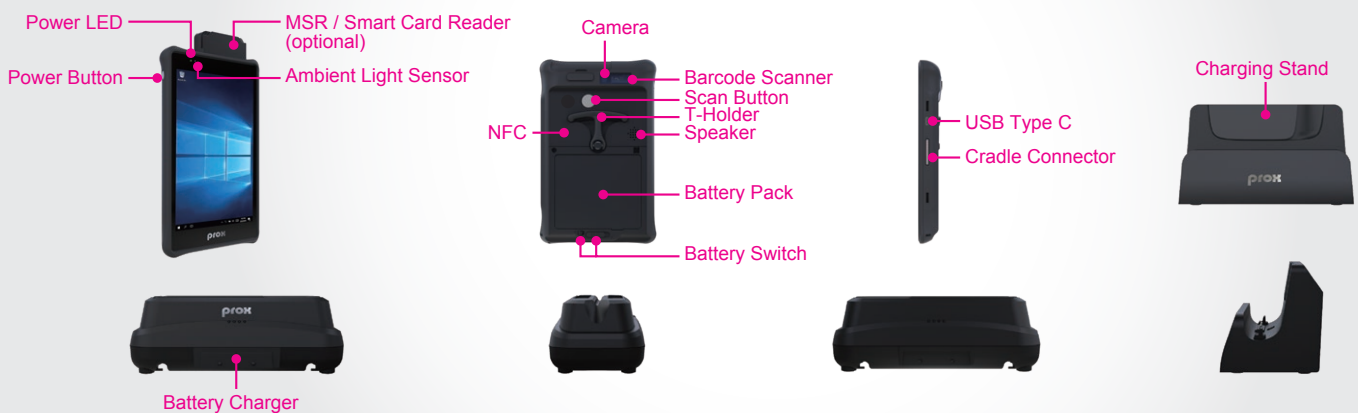
Battery Charger Specifications

Cradle Connector	POGO pins (1 x 10 pins) x 2
DC In Jack	DC 12V IN (pin's $\phi=2.5$ mm) x 2
AC Power Adapter	12V/3.3A/40W AC power adapter
Weight	292 g
Dimensions (W x H x D)	170 x 60 x 84 mm

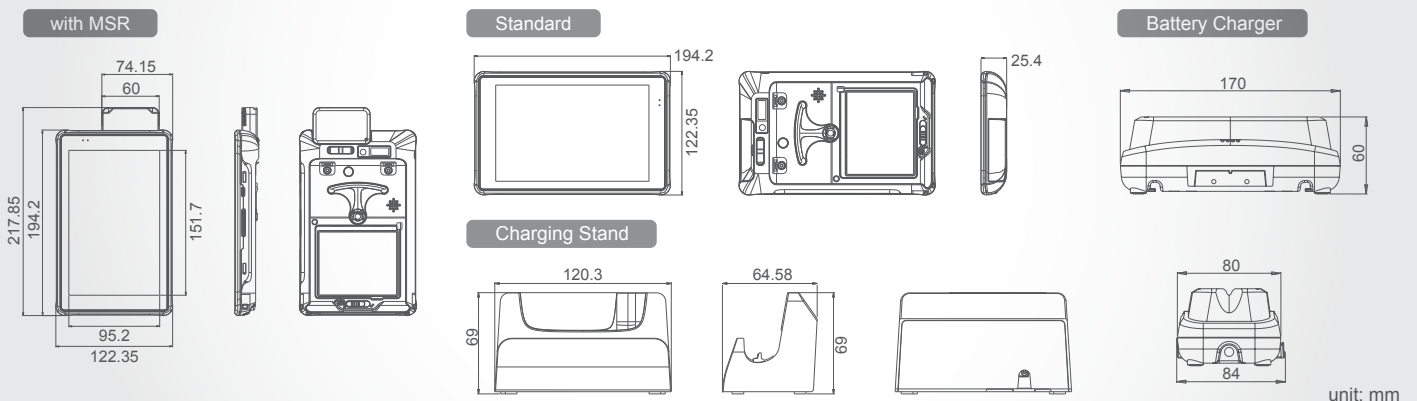
Environment

Operation Temp.	0°C~40°C (32°F~104°F)
Storage Temp.	-20°C~60°C (-4°F~140°F)
Humidity	Operation humidity 10%~90%; Storage humidity 10%~95%

Highlights



Dimensions



unit: mm